



Vidheksh
SLIDING HEAD SOLUTIONS

SURGICAL SOLUTIONS

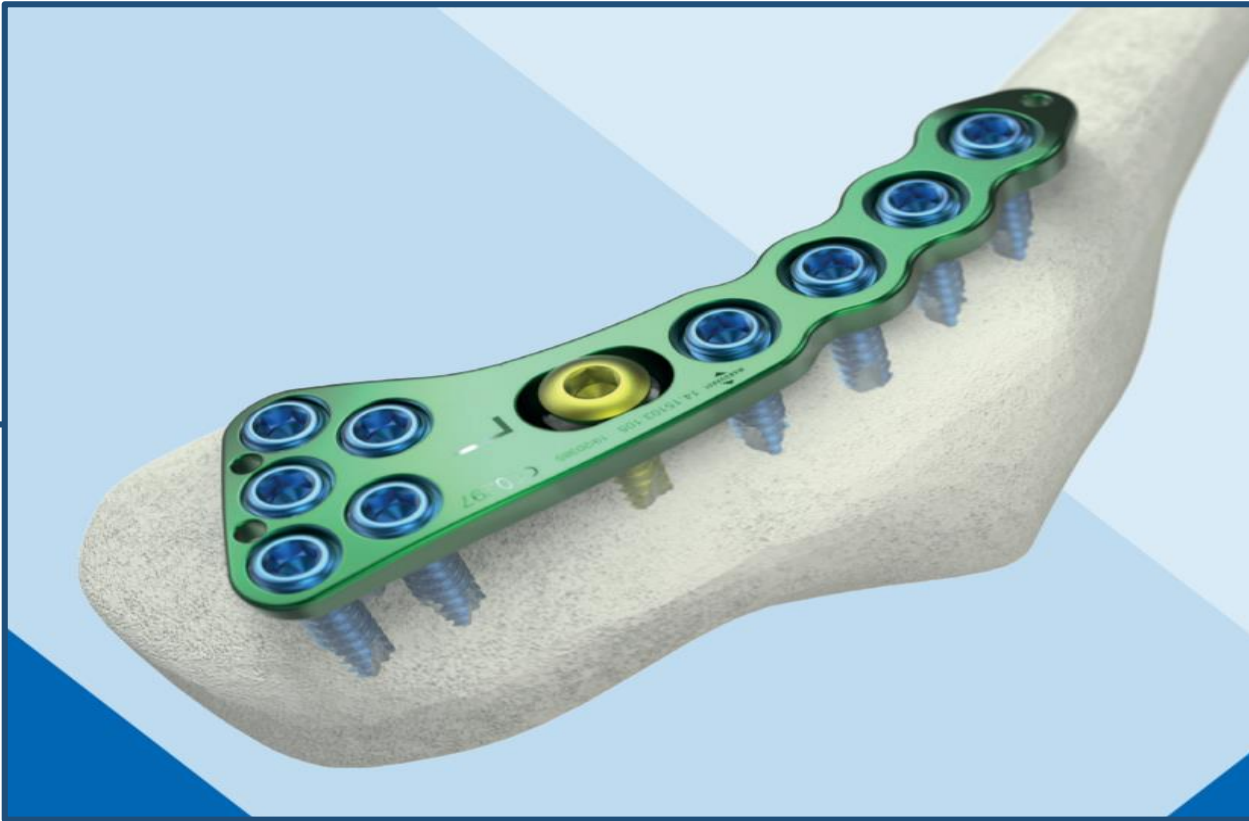
VIRAL MEHTA | 99796 86648

**C-131, SUMEL - 7, SONI NI CHALI, RAKHIYAL,
AHMEDABAD - 380023, GUJARAT**

URL : www.vidheksh.com

Email : solution@vidheksh.com

SURGICAL PLATES



- Product (Sample) Scanning
- Product (3D) Modeling
- 2D Drafting (Drawing Preparation)
- Wirecut / Lasercut Profile (Unbend)
- Bending Die / Punch
- VMC Fixture
- Tool Development, Trial & Approval
- CAM Support

PRODUCT DEVELOPMENT - PLATES



Vidheksh
SLIDING HEAD SOLUTIONS

SURGICAL SCREWS



Spine

Trauma

Dental

Product (Sample) Scanning

Product (3D) Modeling

2D Drafting (Drawing Preparation)

Tools Design Development

Customer Approval for Design

Tool Trial and Approval

CAM Support

PRODUCT DEVELOPMENT - SCREWS



Vidheksh
SLIDING HEAD SOLUTIONS



Product Name	Product Photo	Screw Dia.
CORTICAL SCREW		Ø2.40mm Ø2.70mm Ø3.50mm Ø4.50mm
CANCELLOUS / CANNULATED SCREW		Ø3.50mm Ø4.00mm Ø5.00mm Ø6.50mm Ø7.00mm
LHS SCREW		Ø2.40mm Ø2.70mm Ø3.50mm Ø5.00mm
INTERLOCKING NAIL SCREW (BOLT)		Ø3.00mm Ø3.40mm Ø3.90mm Ø4.90mm
PFN SCREWS		Ø6.00mm Ø6.70mm Ø7.50mm
SPINAL SCREWS		CUSTOM DESIGN
DENTAL SCREWS		CUSTOM DESIGN

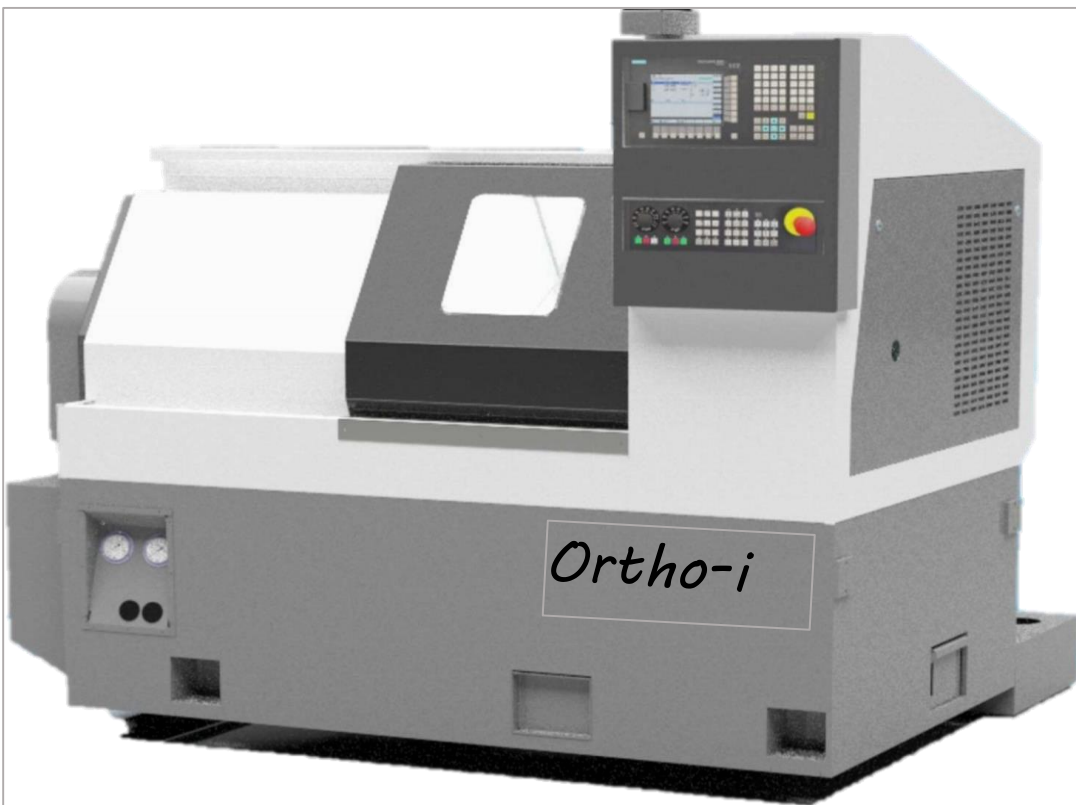
SURGICAL SCREW INSERTS



Vidheksh
SLIDING HEAD SOLUTIONS

HARDIK

CNC Automation



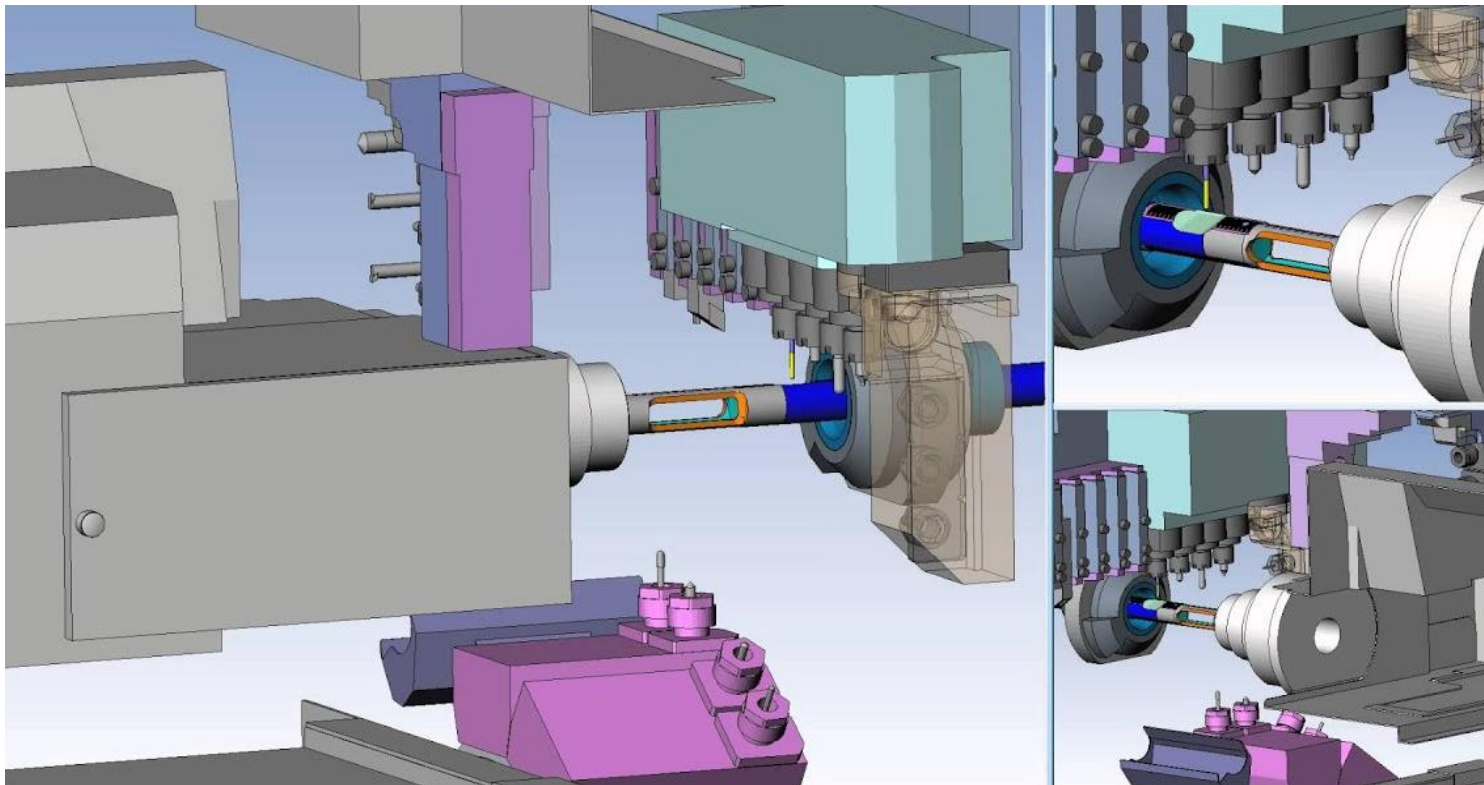
ORTHO i CNC MACHINE FOR SURGICAL SCREWS

- DELTA NC-200 CONTROLLER WITH QUICK, EASY AND SIMPLE PROGRAMMING TECHNIQUE..
- EFFORTLESS AND EASY CHANGE OVER AND SET UP.
- HEXAGONAL BROACHING CAN ALSO BE DONE.
- ROBUST AND RIGID MACHINE STRUCTURE.
- DEDICATED MACHINE FOR SURGICAL SCREWS MANUFACTURING.

Vidheksh
SLIDING HEAD SOLUTIONS



ORTHO i – CNC MACHINE



- 2-5 Axis Milling
- 2-22 axis Turning
- High Speed Machining
- Wire EDM
- Multitasking Machining

Vidheksh
SLIDING HEAD SOLUTIONS



CAM SOLUTION

Vidheksh Associate with



Authorized Value Added Reseller - Gujarat





Vidheksh
SLIDING HEAD SOLUTIONS



BROACHING / PUNCHING CARBIDE TOOL

- Partial form Broaches Reduce Cutting Pressure on Tough Applications.
- Enables Orientation of Broached Forms.
- Ideal for Medical and Aerospace Fastener Applications.
- Highly Repeatable - Quick Tool Changes
- Excellent cutting edge for better performance.
- Custom size and design can be developed.



www.vidheksh.com
solution@vidheksh.com

+91 98799 86648
+91 99796 86648



HEXAGONAL BROACHING



Vidheksh
SLIDING HEAD SOLUTIONS



THREAD WHIRLING PARTS

- Whirling Insert Disc can be developed for all major OEMs.
- Inserts can be made for each application as per given profile.
- Insert locking Screw & Torx screw wrench for whirling attachment.



www.vidheksh.com
solution@vidheksh.com

+91 98799 86648
+91 99796 86648



THREAD WHIRLING PARTS



TAPER TAP - 20°

- Manual Taps for Orthopedic Locking Plates.
- Available in 0.3/0.4/0.5mm Pitch.
- Available in Single and Double (Two) Start Threads.
- Rejection of the product can be rework by this Tap.
- TiN coating Increasing Tool Life.



www.vidheksh.com
solution@vidheksh.com

+91 98799 86648
+91 99796 86648

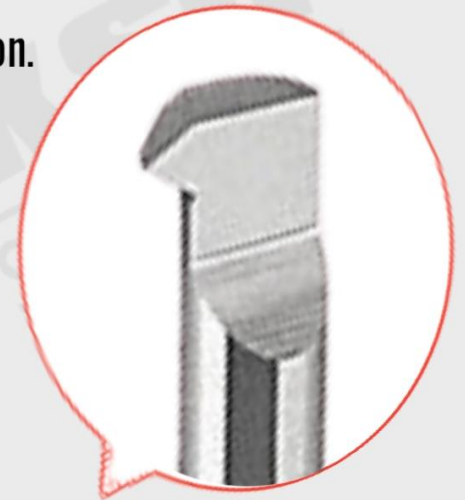


TAPER TAPS – MANUAL



THREAD PROFILE BORING TOOL

- Excellent sharpness and great wear resistance geometry.
- Complex design profile Boring Tool for Internal Threading Operation.
- ISO and Buttress Profile can be developed.
- Wear Resistance Coating for Titanium & SS grade material.
- A wide range of profile cutting tools available for Swiss-machine.



www.vidheksh.com
solution@vidheksh.com

+91 98799 86648
+91 99796 86648



CARBIDE PROFILE THREADING TOOLS



Vidheksh
SLIDING HEAD SOLUTIONS



BUTTRESS GAUGE

- Unique design Buttress Profile Go / No Go Gauges.
- Available for Inch and mm both pitches.
- Custom design available for Thread length and profile.
- Rigid and grinded geometry for optimum use.
- Gauge with Calibration Test Certificate.
- Easy, Quick and Accurate results for critical assembly parts.
- Tin Coating for a longer life.



www.vidheksh.com
solution@vidheksh.com

+91 98799 86648
+91 99796 86648

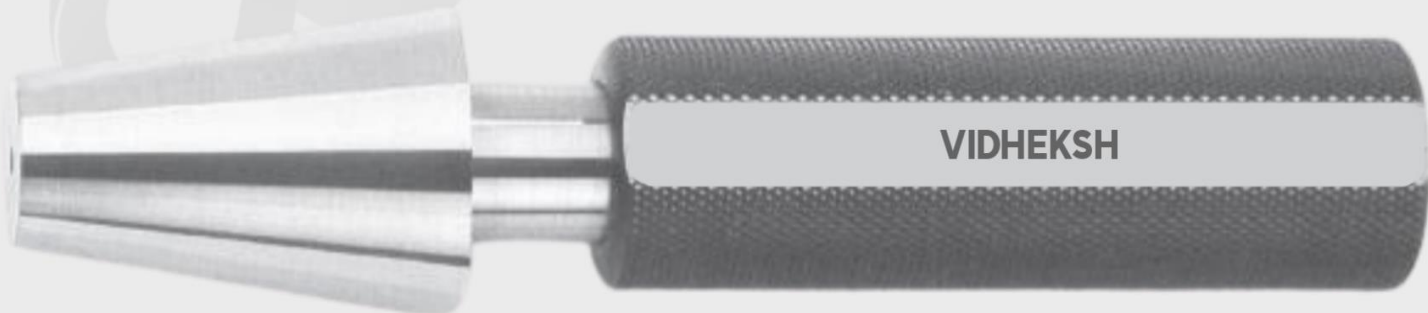
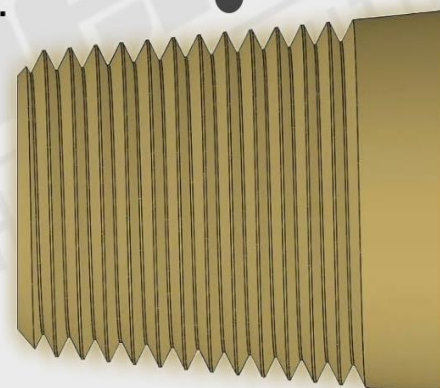


**SPINE PRODUCT THREAD
CHECKING BUTTRESS GAUGE**



TAPER THREAD GAUGE

- Single, Dual (Double), Three (Triple) Start Thread checking gauge.
- Taper Hole depth checking Blank gauge (without thread).
- Custom design available for Thread length and profile.
- Rigid and grinded geometry for optimum use.
- Fine Grounded Thread Pitch Profile
- Easy, Quick and Accurate results.
- Tin Coating for a longer life.



www.vidheksh.com
solution@vidheksh.com

+91 98799 86648
+91 99796 86648



**LCP PLATE CHECKING
TAPER THREAD GAUGE**

**PLEASE CONTACT
US FOR FURTHER
ASSISTANCE**

THANK YOU

VIRAL MEHTA

99796 86648

98799 86648